

© Bunk Beds Unlimited

BUNK BEDS UNLIMITED

Three Standard Storage Drawers Plan



© Copyright 2010 Bunk Beds Unlimited Tallahassee Florida all rights reserved



© Bunk Beds Unlimited

Introduction to Storage Drawers Plan

Thank you for purchasing the Bunk Beds Unlimited Storage Drawers Plan. These drawers are very basic structures and, like your bed, can be easily built with a few power tools and a few hand tools. We have built and sold many similar drawer sets through the years and have refined this plan so that it is simple to build, and of very good quality.

Much thought and effort has been put into this plan in order to make it as easy as possible to follow. Please take some time and get a feel for the plan and become familiar with all of the parts before beginning. The majority of the work you put into the bed will be in finishing and assembly. The drawers are especially useful in allowing quick and easy access to a large amount of items as well as some pretty large items. We sincerely hope that you have fun while you follow these simple directions. If you run into any problems you can e-mail us at: info@BunkBedsUnlimited.com. Again, thank you for your purchase.

If you need to purchase a hardware kit please visit our website. Our kits contain high quality hardware and are priced very competitively. We ship promptly and will probably have the kit to you before you need it.

This Storage Drawers Plan is published by: Bunk Beds Unlimited, 3807 Rolf St. Tallahassee FL 32303

© Copyright 2010 Bunk Beds Unlimited Tallahassee Florida all rights reserved. By Federal law, no part of this publication may be copied or reproduced in any form or by any means including but not limited to electronic, mechanical, photocopying, recording or otherwise stored in a retrieval system, or transmitted in any form or by any means including but not limited to electronic, mechanical, photocopying, recording or otherwise without prior written permission from the publisher.

© Copyright 2010 Bunk Beds Unlimited Tallahassee Florida all rights reserved

Storage Drawers Plan

These plans are designed to fit our Standard Model beds that have a clearance of 75 x 41 x 12" beneath the bottom bed. If you are adapting them to another bed, you may need to make adjustments. The storage drawers will greatly improve the storage area under your bunk bed. The design of the drawers is not too complex. They are basic box structures with the addition of casters to allow them to be moved in and out easily. You will need 2x10" material in the quantities shown on [Page 3](#). As with the bunk bed, the final appearance depends on how much work you are willing to put into the details of sanding and finishing. The addition of handles will give the drawers a much more finished look.

Begin by cutting the 2x10" and 2x2" parts to length as shown in the table on [page 4](#). **In order to obtain the best results, the drawer bottom panels should be cut to fit after the sides and fronts are assembled.** Remember to use the nicest looking face pieces on the drawer fronts since these will be the most visible parts.

[Page 5](#) shows where to drill for your lag screws.

If you purchased 5/16" lag bolt (screws) and washers from a hardware store You will need to drill 5/16" holes completely through the front and back panels. Likewise, drill 1/4" pilot holes in the ends of the sides 1 1/4" deep.

If you purchase a hardware kit from Bunk Beds Unlimited, it will include decorative furniture lag screws that need 9/32" holes through the front and back panels. Likewise, drill 3/16" pilot holes in the ends of the sides 1 1/4" deep.

Next, do all sanding and finishing. We have included an addendum which describes sanding and finishing at the end of this plan for your convenience.

Begin assembly by attaching the cleats to the drawer sides. Use 4 -2 1/2" wood screws in each cleat. Now attach the front and back panels to the sides using lag screws. The drawers are ready for bottom panels. Each drawer gets a single panel (See [Page 6](#).) These should fit pretty snugly and are best attached to the side cleat using 4 -1 1/2" wood screws per panel. You can now drill holes in the cleats for your casters. Drill the appropriate size holes 2 inches from the ends of the cleats and insert the caster stems into them. If you purchased the hardware kit for your bed and drawers from Bunk Beds Unlimited, you will need to drill 7/16" holes for the caster stems to fit in. See [page 6](#). The handles provided in your hardware kit should be attached by drilling 3/16" holes at the locations shown on [page 5](#).

The addition of a drawer guide made to fit between the posts on the bottom rung of your bunk bed, will most likely aid easy movement of the drawers. These should be made from 2 x 2 material and cut to fit. Attach them with 2 or three screws each as shown.

Shopping List

Hardware Requirements for Drawers		
Quantity	Size	Name
24	5/16" x 4"	Lag screws and Washers
24	2 1/2" #8	Phillips Wood Screws
12	1 1/2" #8	Phillips Wood Screws
12	2"	Furniture Casters
6	3 3/4"	Wooden Handles

These lists describe the materials you will need to build the storage drawers.

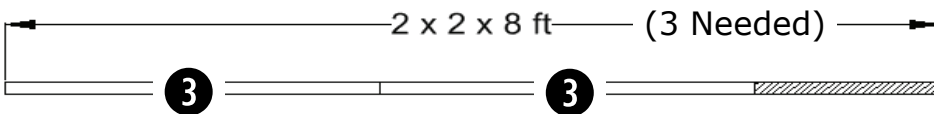
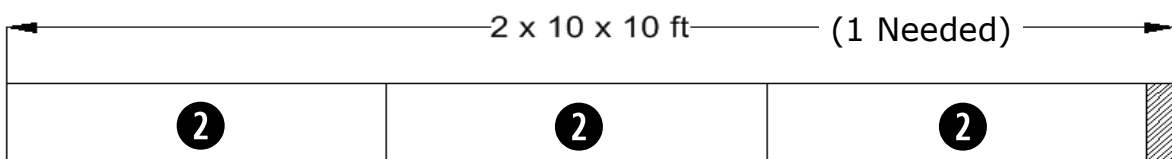
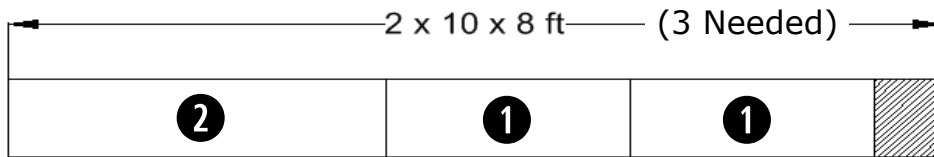
Lumber Requirements for Drawers		
Quantity	Size	Name
3	2 x 10 x 8'	Sides Front and Back Panels
1	2 x 10 x 10'	Remaining Sides
3	2 x 2 x 8'	Cleats for Bottoms
3 (1 sheet of plywood)	3/4 x 18 5/8 x 39"	Bottom Panels <u>MEASURE FIRST!</u> <i>(From 1 sheet of plywood.)</i>

Storage Drawers Plan



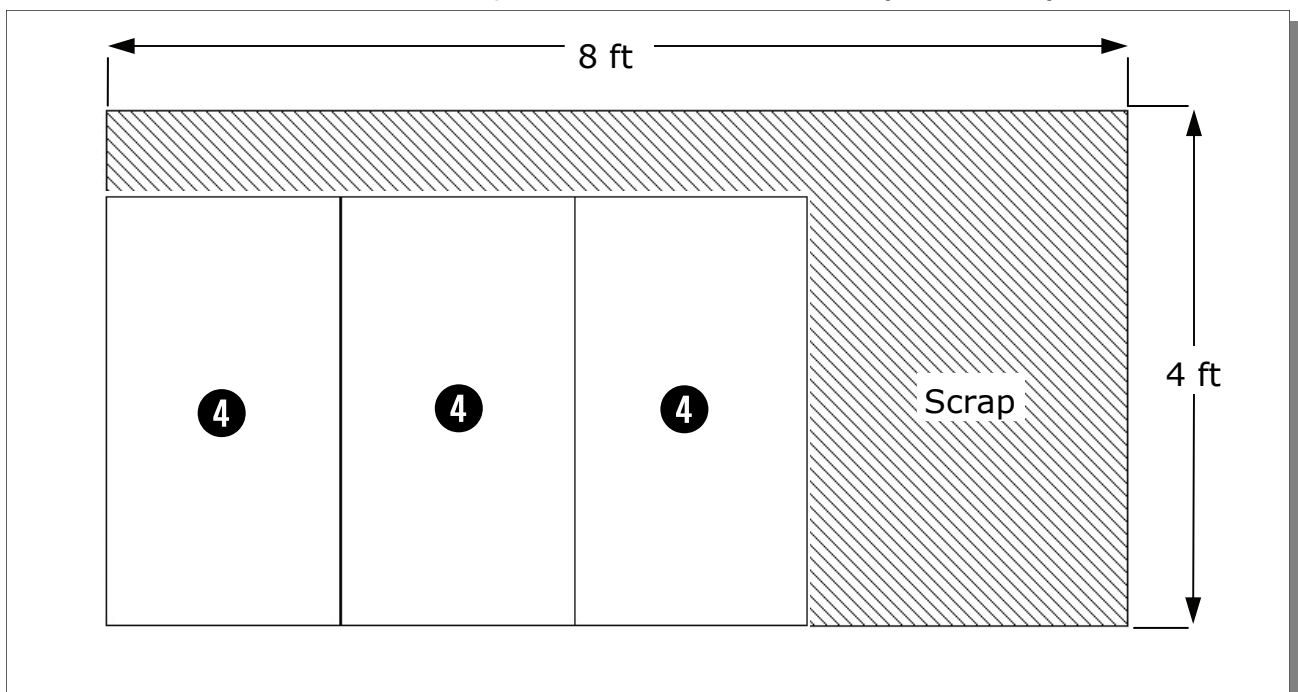
Storage Drawers Cutting Guide

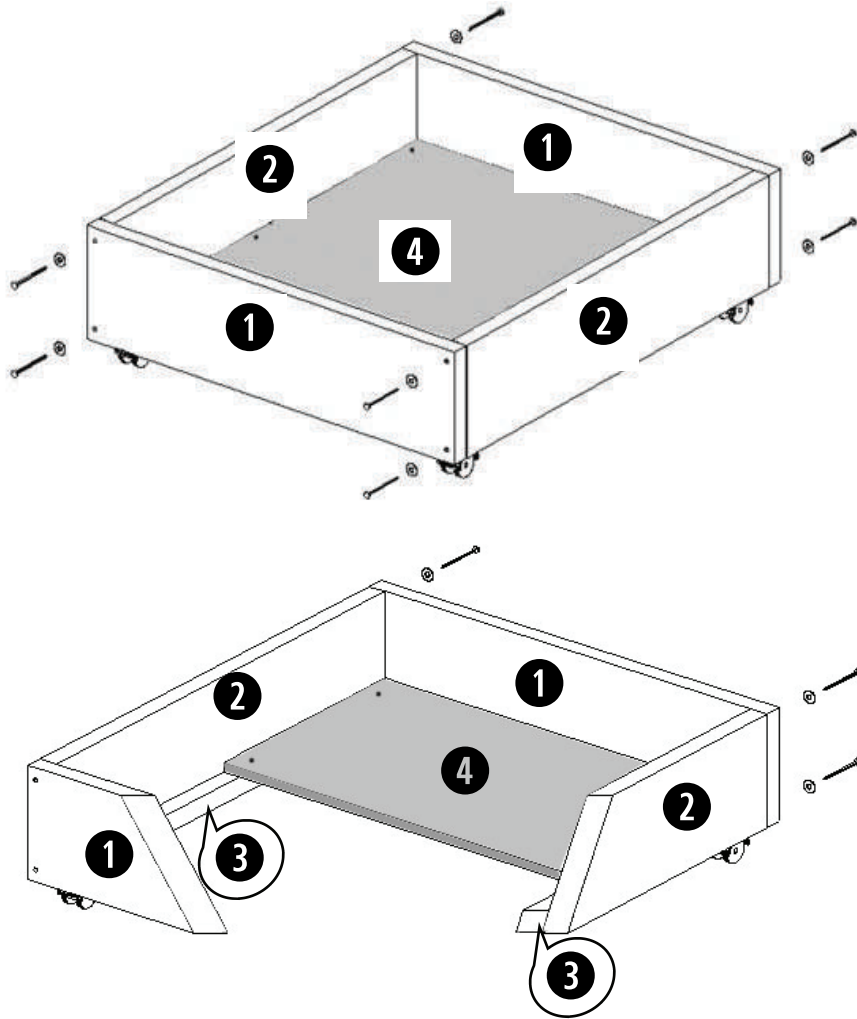
Lumber



Plywood or MDF

(1 Needed)





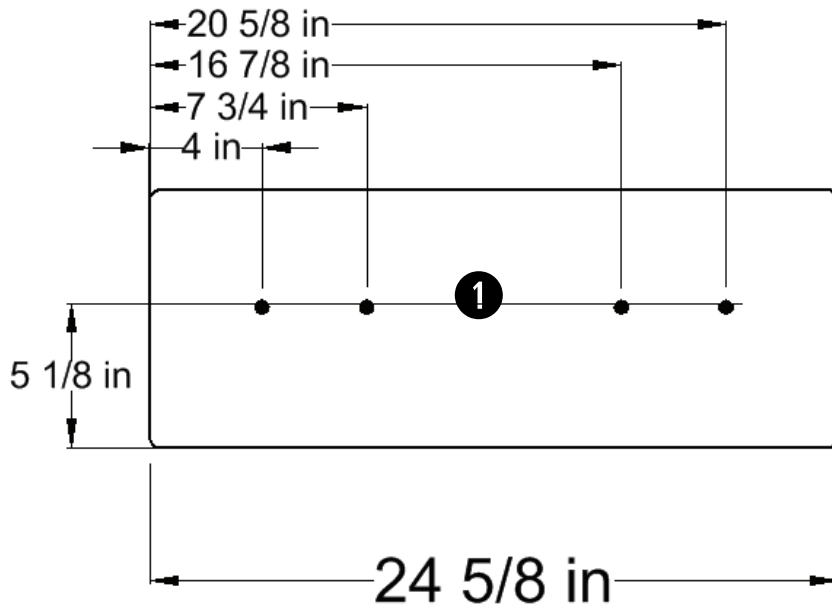
End is cut away and part of bottom panel is removed to reveal support structure.

Key to Parts

Part Number	Qty	Dimensions	Description
1	6	2 x 10 x 24 5/8"	Front and Rear Panels
2	6	2 x 10 x 39"	Left and Right Side Panels
3	6	2 x 2 x 38"	Bottom Support Cleat
4	3	3/4 x 21 1/2 x 39" * <i>APPROXIMATE!</i> <i>MUST be Measured Before Cutting!</i>	Drawer Bottom Panel
5	12	2"	Stemmed Furniture Casters
6	6	3 3/4"	Wooden Handles

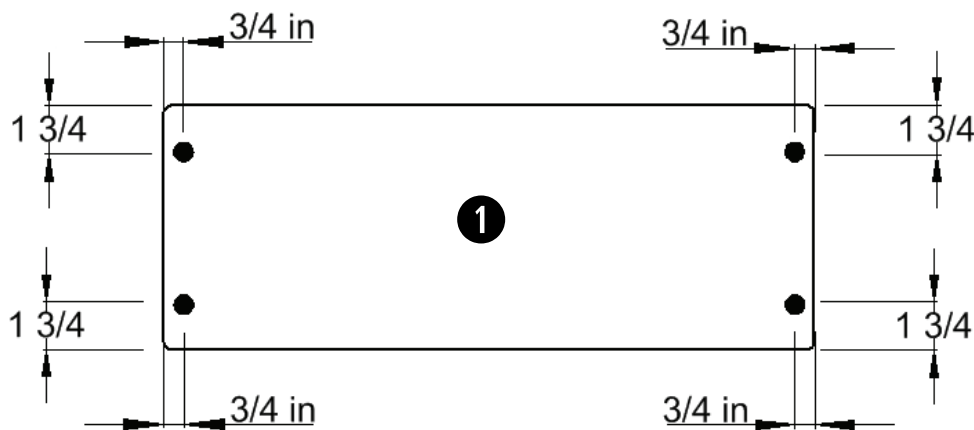
Storage Drawer Drilling Guide

Face Panel Handle Drilling Guide

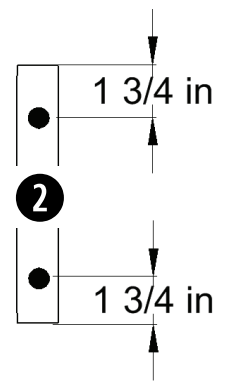


Hole size is important. For the handles, use a 3/16" drill bit. For the lag screws, drill according to the instructions on page 1 paying special attention to the type of bolts lags you have. If you purchased a hardware kit from Bunk Beds Unlimited, with decorative furniture lags, your hole size will be different than if you are using 5/16" hex lags. It is not too late to buy a hardware kit for the drawers from us. We offer fast shipping.

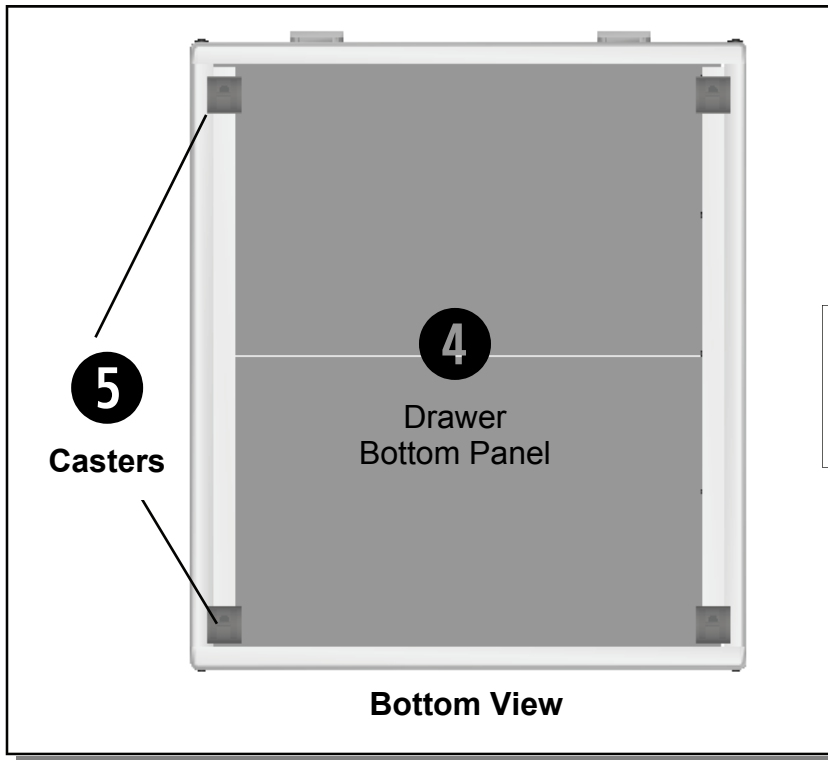
Face and Rear Panels Lag Screw Holes



Side Panel End Drilling

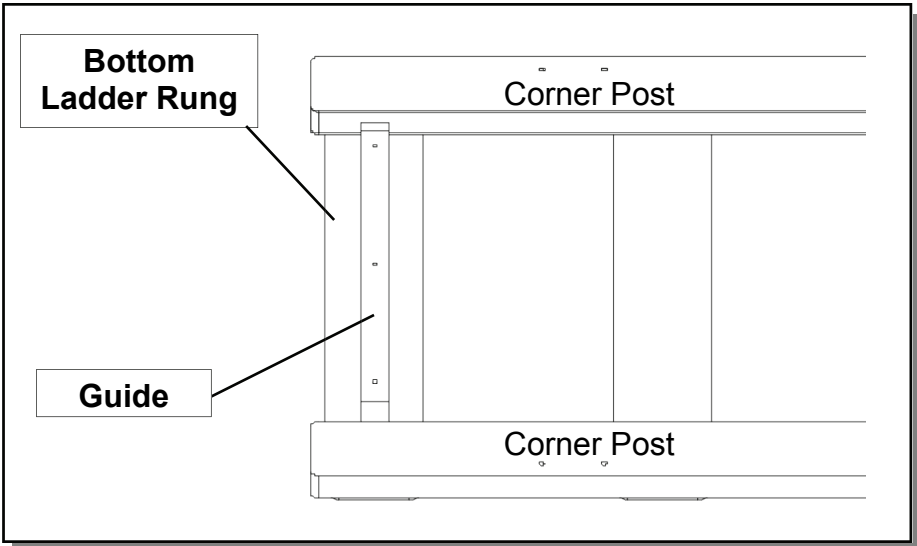


Storage Drawers Plan



Holes for casters should be 1 1/2 - 2" from end of cleats.

On beds built from our plans, the use of guides made from 2x2 will help keep the drawers straight but are completely optional. Make them to fit and sink the screws slightly below the surface so that the drawer sides slide smoothly without getting stuck.



Storage Drawers Plan