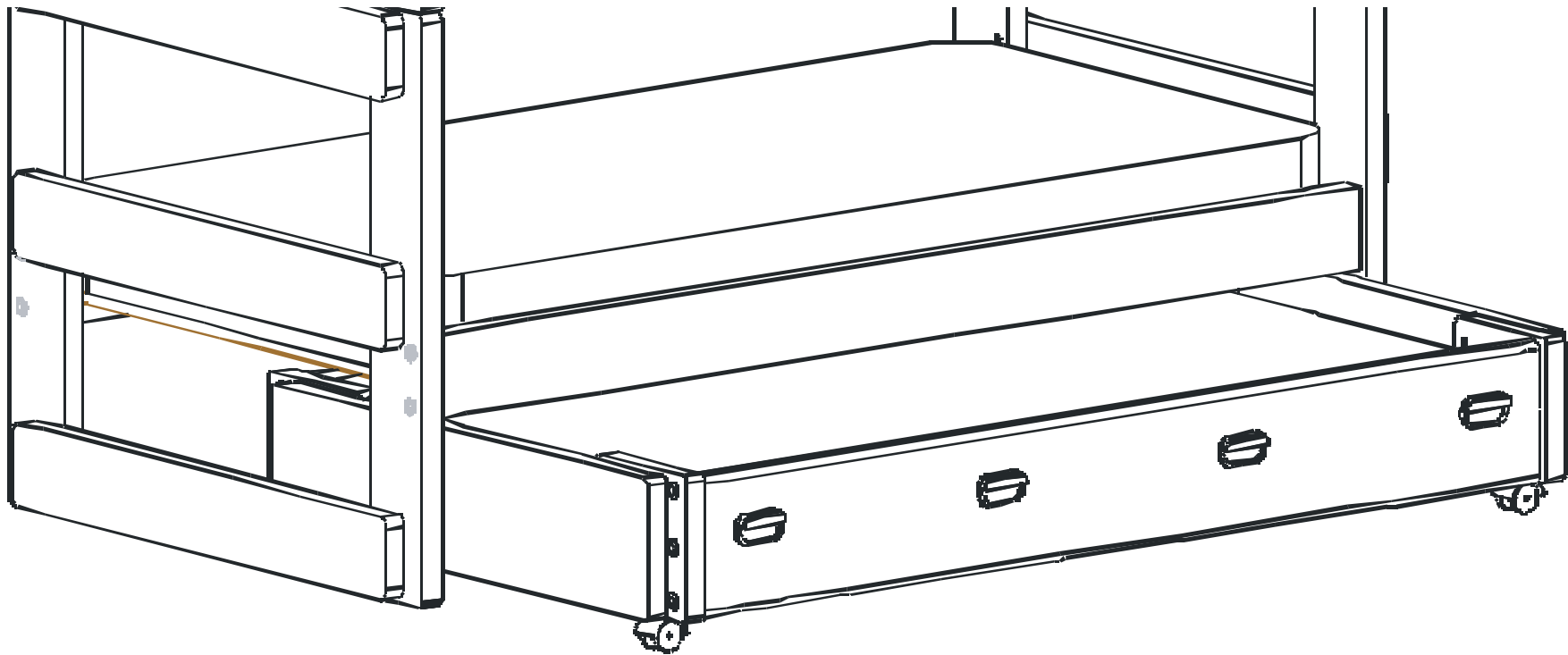


BUNK BEDS UNLIMITED

Trundle Bed Plans

(For Use Under Twin or Full Size Extra Long Beds)



On the following pages we have included all of the necessary drawings and requirements for a twin-size trundle bed. This bed requires 12 inches by 81 inches of clearance and holds a standard twin-size mattress.

Please take some time to familiarize yourself with the drawings and instructions before you begin. We hope building this bed is fun and rewarding. You will notice that there are only a few different basic square cuts needed in order to make this bed. If you follow this design you will have a beautiful, solid and sturdy Trundle that will last for many years.

Special Note:

We recently made some changes to the hardware we provide in our kits. Please note the following information when you are drilling the holes in the posts and rails for lag bolts.

If you purchased 5/16" lag bolt (screws) and washers from a hardware store you will need to drill 5/16" holes in the posts for the bolts to pass through and 1/4" pilot holes in the ends of the rails about 1 1/4" deep.

If you purchase a hardware kit from Bunk Beds Unlimited, it will include decorative furniture lag bolts that need a 9/32" hole drilled through the posts and a 3/16" pilot hole about 1 1/4" deep in the rail ends.

This Trundle Bed Plan is published by: Bunk Beds Unlimited, 3807 Rolf St. Tallahassee FL 32303

© Copyright 2006 Bunk Beds Unlimited Tallahassee Florida all rights reserved. By Federal law, no part of this publication may be copied or reproduced in any form or by any means including but not limited to electronic, mechanical, photocopying, recording or otherwise stored in a retrieval system, or transmitted in any form or by any means including but not limited to electronic, mechanical, photocopying, recording or otherwise without prior written permission from the publisher.

Description

This plan is intended to supplement bed plans that we sell. It is designed to hold a standard twin mattress that is 75 inches long by 38 ½ inches wide and no more than 8 inches thick.

If you are adding a trundle bed to a bed plan other than one designed by Bunk Beds Unlimited you may need to modify this plan. The trundle bed is a short bed that rests on wheels. In order to go under the bed above it needs to be shorter in height and length. We have designed this trundle to fit under our beds that use extra long twin or full-size mattresses. You will need a standard twin mattress for this trundle. If you need help with this please email us at info@bunkbedsunlimited.com.

The posts of the trundle bed will need to be drilled for bolts as shown on [page 4](#). If you purchased the hardware kit for trundle from us, drill 7/16" holes 1 ½" deep for the caster stems to fit in as shown on [page 6](#). If you did not buy casters from us you will need to determine proper mounting of your casters on the posts. Assembly of the end is diagrammed on [page 5](#). It is very similar to assembling the bunk bed. Position the posts and end rail carefully before screwing them together.

If you bought a hardware kit from us drill 3/16" holes at the locations shown on [page 4](#) for the handles. Drill the holes in the nicest of the 2 x 10 trundle rails because it will be the most visible when the bed is assembled and in use. If you purchased your own hardware you will need to determine the proper handle placement.

On each of the two 75" long rails, screw in place one metal cleat 4 ½ inches from each end and one in the center ([page 5](#)). Make sure the cleats are flush with the bottom edge of the rails. You can use a 2 x 2 x 74 ½" cleat on each of these rails if you prefer but using angle iron or aluminum will give you a little more mattress space. Using the metal cleats and a ¾" thick bunk board will allow you to use a 7-8" thick mattress in the trundle bed. Using wooden cleats will reduce the allowable mattress size to 6-7" in thickness. If you purchased a hardware kit from us use the pre-drilled metal cleats that are provided.

The trundle/drawer guides are described in your bunk bed plan. These are optional, however putting them on the bed will help guide the trundle drawer in and out smoothly.

Final Set-up

Assembling your trundle is simple. Place the bolts with the washers through the holes in the ends and screw them in snugly. Put the casters on after the rails are bolted into place. The trundle is then ready for the bunk board. If you purchased your hardware from us put the handles on the outside face of the front of the trundle using the finely threaded screws provided in your hardware kit.

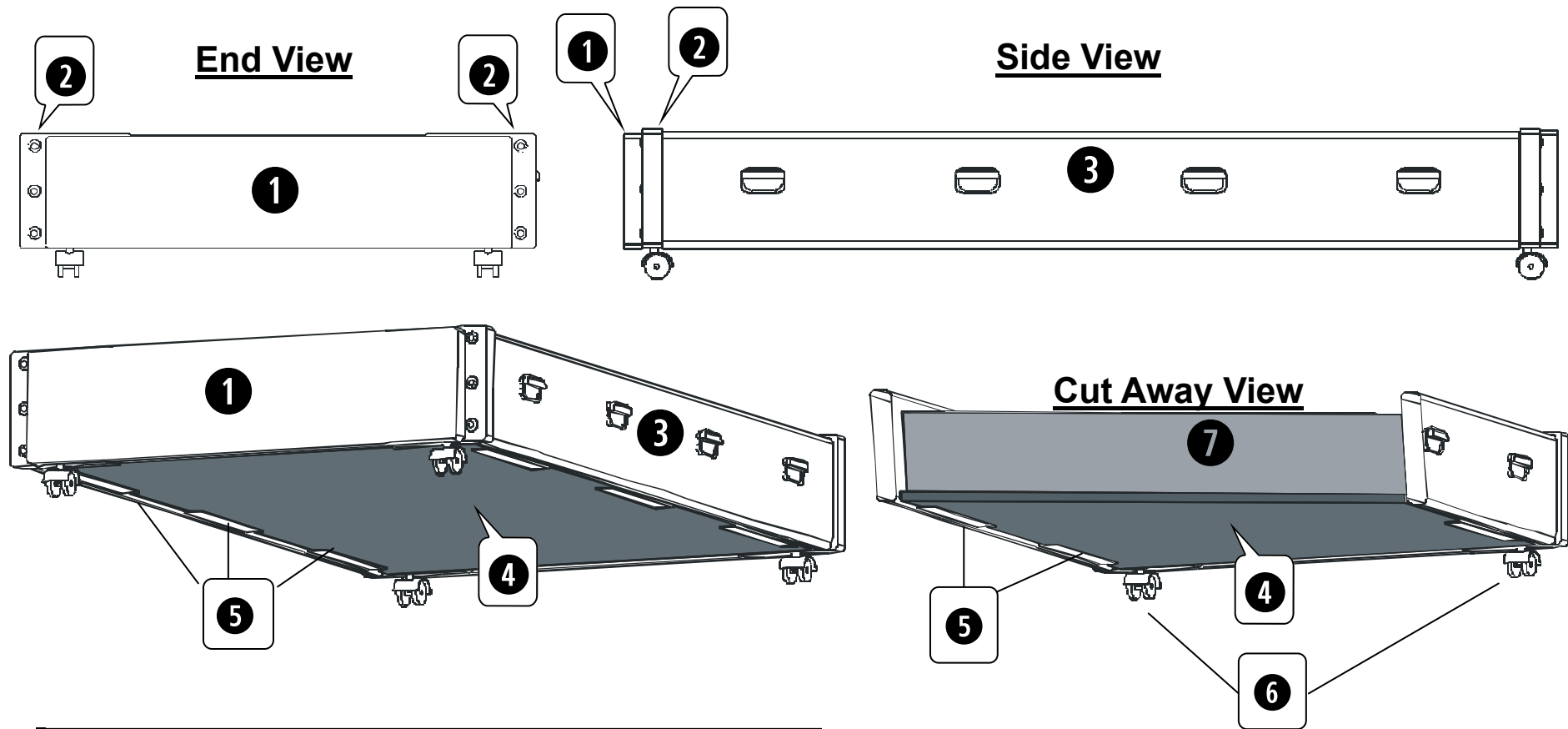
Quick Shopping List for Trundle

Hardware Requirements for Trundle		
Quantity	Size	Name
12	5/16" x 4"	Lag Bolts and Washers
20	2 1/2" #8	Phillips Wood Screws
25	1 1/4" #8	Phillips Wood Screws
4	2"	Furniture Casters
6	1 1/4 x 1 1/4 x 6"	Angle Metal Cleat
4	Your Choice	Optional Wooden Handles and screws

These lists describe the materials you will need to build the trundle bed.

Lumber Requirements for Trundle		
Quantity	Name	Actual Dimensions
2	2 x 10 x 8 ft.	1 1/2" x 8' x 9 1/2"
1	2 x 10 x 10 ft.	1 1/2" x 10' x 9 1/2"
1	4 x 8 ft. Plywood	4'x8' Plywood

* If you did not purchase the hardware package you may want to consider purchasing 4 handles to enhance the appearance.



Key to Parts

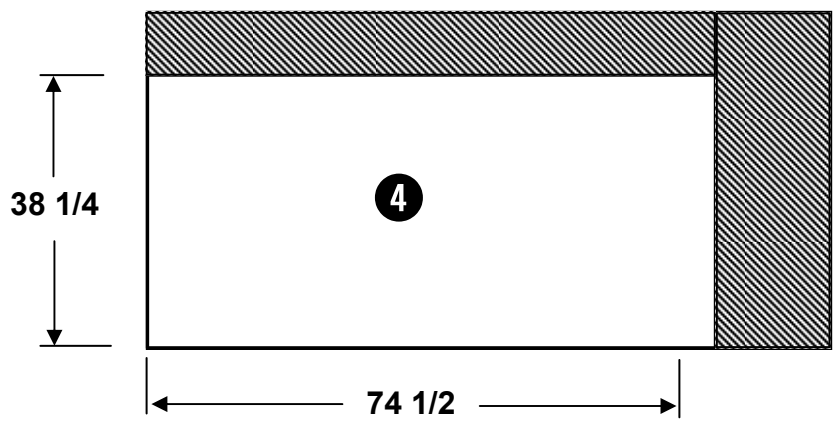
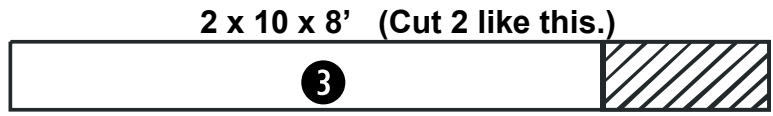
Part Number	Dimensions	Description
1	2 x 10 x 38 1/2"	End Rail
2	2 x 10 x 9 1/2"	Trundle Bed Post
3	2 x 10 x 75"	Trundle Bed Rail
4	3/4 x 38 1/4 x 74 1/2"	Bunk Board
*5	1 1/4 x 1 1/4 x 6"	*Angle Metal Support Cleat
6	2"	Stemmed Carpet Casters
7	Standard Twin	Mattress

End is cut away to reveal mattress and support structure.

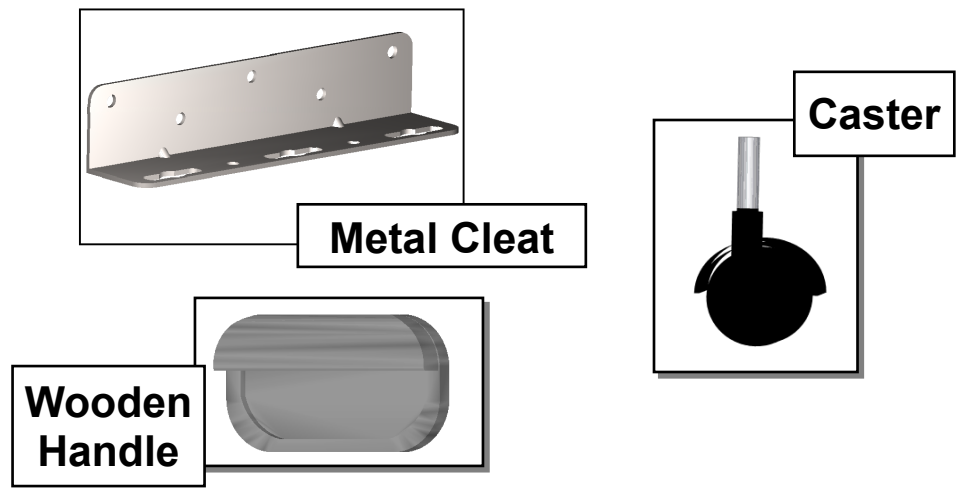
**Note on cleats: If you purchased a hardware kit from Bunk Beds Unlimited, these cleats are included. If you are making your own, you will need 1 1/4 x 1 1/4 angle iron or aluminum cut in 6 inch pieces and drilled with at least two holes to fasten it to the wooden front or back of the trundle.*

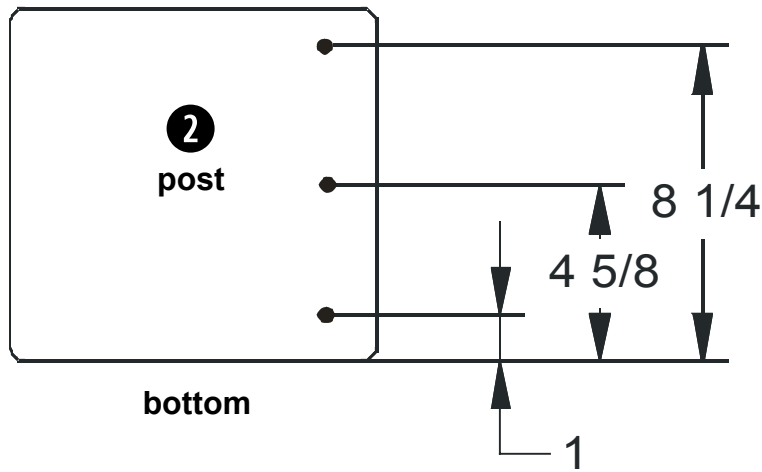
Wooden Parts Required			
Key	Description	Number	Dimensions
①	Trundle End Rail	2	2 x 10 x 38 1/2"
②	Trundle Post	4	2 x 10 x 9 1/2"
③	Trundle Rail	2	2 x 10 x 75"
④	Bunkie Board	1	3/4 x 38 1/4 x 74 1/2"

Hardware Requirements			
Suggested Quantity	Actual Quantity	Size	Name
12	12	5/16" x 4"	Lag Bolts and Washers
25	18	1 1/4" x #8	Phillips Wood Screws
20	16	2 1/2" #8	Phillips Wood Screws
4	4	2"	Twin Wheel Carpet Casters
6	6	1 1/4 x 1 1/4 x 12"	Angle Metal Cleat
4	4	Your Choice	Optional Wooden Handles and screws

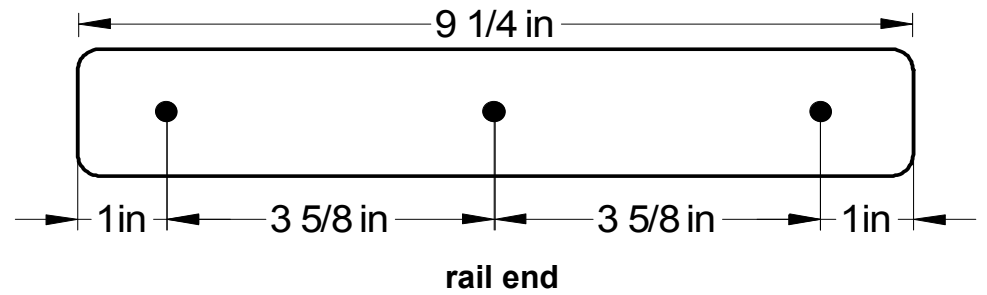


Lumber Requirements for Trundle		
Quantity	Name	Actual Dimensions
1	2 x 10 x 8 ft.	1 1/2" x 8' x 9 1/2"
2	2 x 10 x 10 ft.	1 1/2" x 10' x 9 1/2"
1	4 x 8 ft. Plywood	4'x8' Plywood

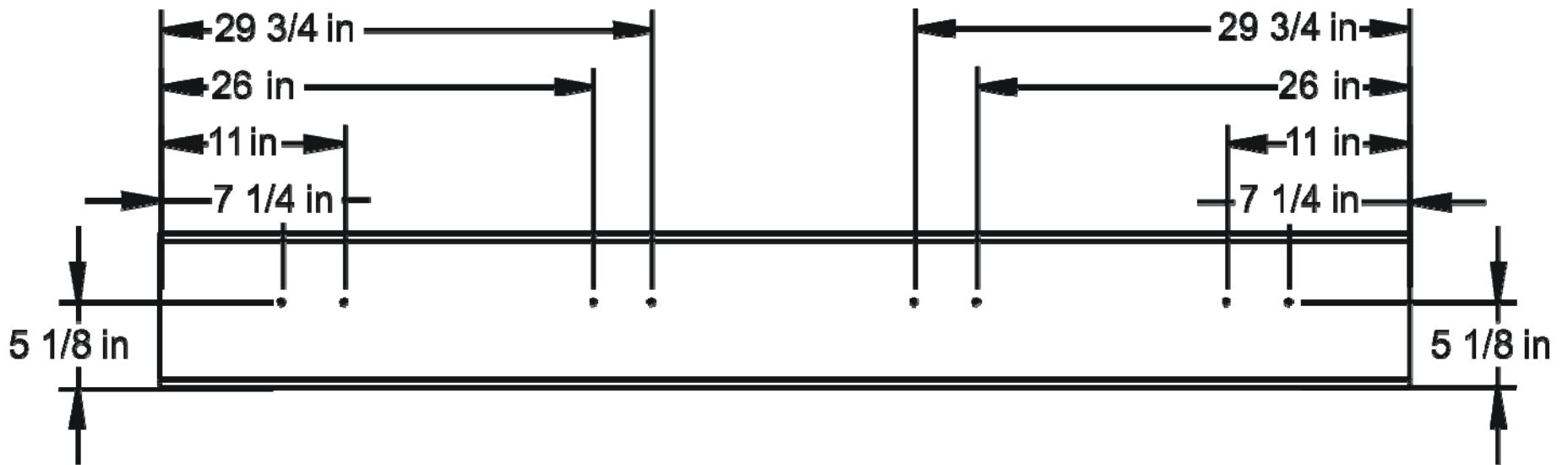




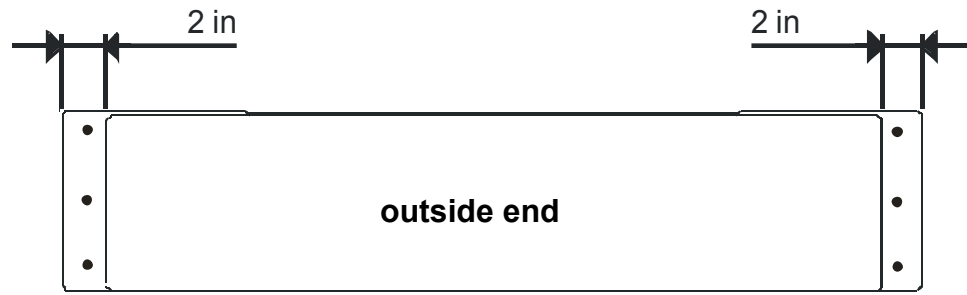
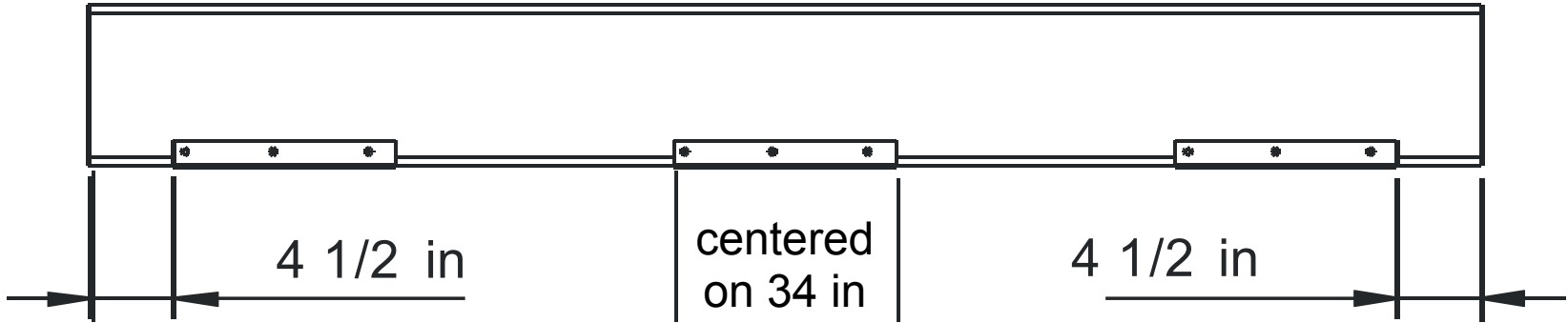
Trundle bed post and rail end drilling diagrams



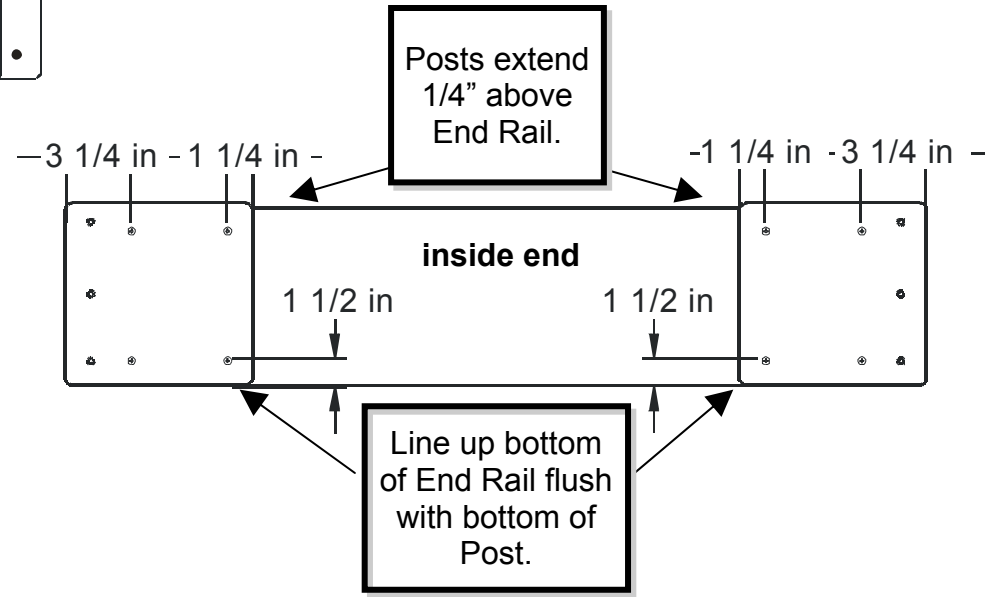
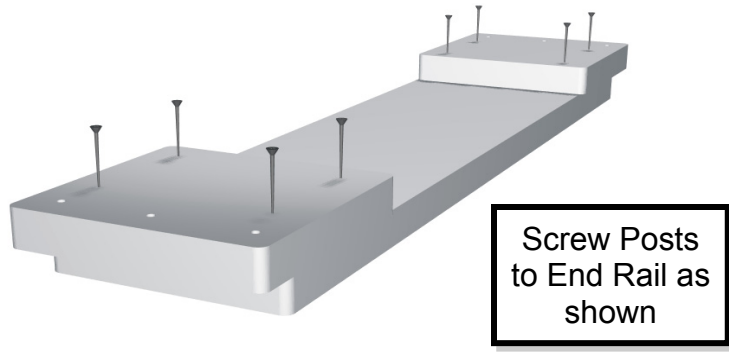
Trundle face rail drilling diagram for handles



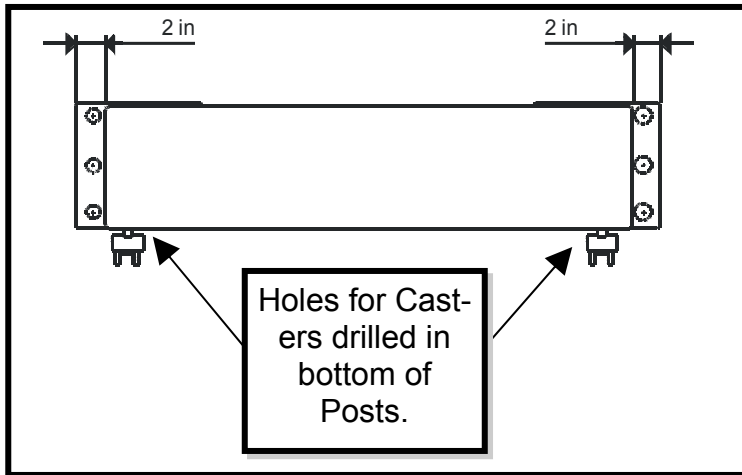
Trundle rail cleat diagram



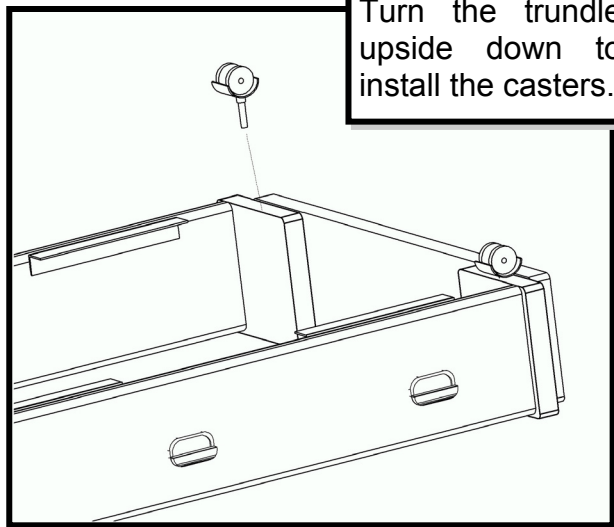
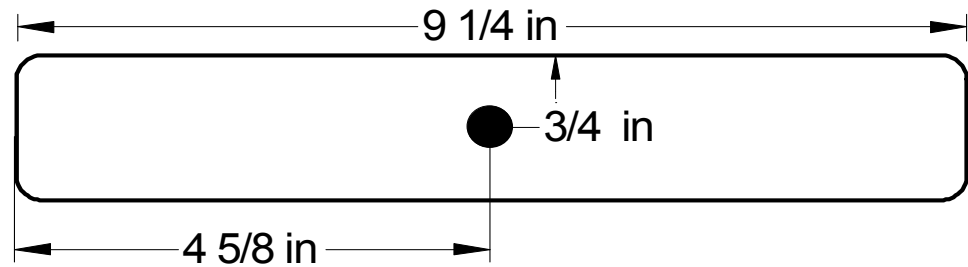
Trundle end assembly diagrams



Trundle assembly diagrams



When drilling the holes for the casters be patient. It requires drilling into the end grain. If using casters purchased from Bunk Beds Unlimited, drill $7/16$ " diameter holes $1\text{-}1/2$ " deep.



After assembly the trundle is ready for a bunkie board and a mattress.

